

IMPORTANT SAFETY INSTRUCTIONS READ AND FOLLOW ALL SAFETY INSTRUCTIONS

Lighted lamp is **HOT!**

WARNING – To reduce the risk of FIRE OR INJURY

CAUTION – Use indoors only.

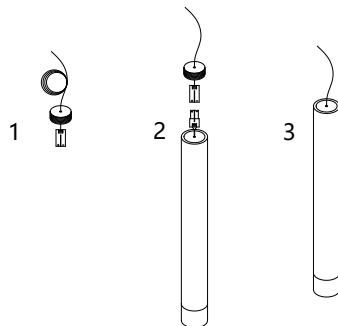
CAUTION – Risk of Electric Shock

CAUTION –Hot surface.

- Install bracket to ceiling, make sure it is installed properly to a beam in order to support the weight.
- Connect electrical wires. Secure canopy by closing the bolts with screws on the bracket.



- 1.Cut all the tie raps from the wires to release.
- 2.Remove bottom cap from bulb-holder.
- 3.Insert the tube with the circle cap.



MatchSticks36-RD

This modern MatchSticks Lighting design holds 36suspended Assorted sizes of aluminum Sticks staggered from a ceiling canopy. Each MatchStick hold 1 light inside.This Customizable chandelier is made to Order from our Canadian Designer using the finest quality finish & craftsmanship

Description:

Drop tube: D1"H16", H11", H9"

Standard Adjustable Strands

36*MAX1.5Watt CREE LED inside

Canopy:

Brushed Nickle finishing or Matt White Or Matt Black Or Dark Browns

Dimensions: L40"*W14"* H2"

Wire: H60"--84"(Optional Custom Max Length H30 ft)

Hang Weight: 24KGS

Some assembly required, Individual tube must be inserted in lamp sockets.

SAVE THESE INSTRUCTIONS

Hardwired, professional installation recommended.

All products are warranted to be free of defects in material and workmanship for ONE (1) year from date of purchase.

WE OFFER CUSTOM SIZES

PLEASE INQUIRE FOR MORE INFO

PREMIERE
LUMINAIRE

<http://www.premiereltg.com>