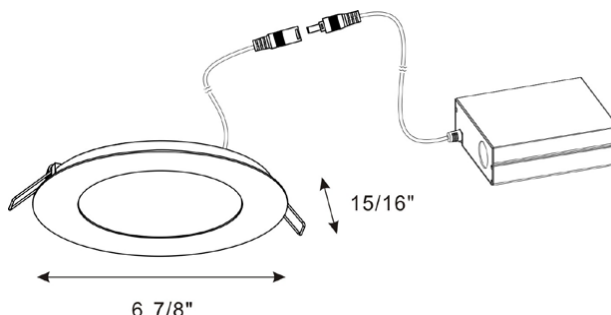


RL6-12W
6" Super-thin Round LED
Recessed Panel Light

Catalog #			
Project		Date	
Notes			



6" Super-thin Round LED Recessed Panel Light

Description

This ultra thin recessed LED Panel is absolutely perfect for tight spaces, soffits and insulated and dropped ceilings.

Recessed 6" round LED panle with integral driver In connection box. Fits where no other recessed fixture can.

This LED is 12 watts and replaces a 65 watt halogen Save up to 80% energy for same light output.

The thin Panel profile with spring clips allows for quick and easy installation. Ideal for confined spaces and suitable for damp locations

Features

- Available in all 6" round openings.
- Retrofit or New Construction
- Install Directly Under Joists, Maximum Layout Flexibility
- Comes with Junction Box & Driver, No Housing Required
- Fast & Easy To Install

A B C D E F G

Item No.: RL6-12W

A	Series
RL6-12W	6" Round & Remodel
RL6-12W-NC	6" Round & New Construction

B	Input Voltage
120V	
277	277V

C	Color Temperature
27	2700K
30	3000K
40	4000K
50	5000K
60	6000K
	CCT Tunable

PANEL LIGHT



PREMIERE
LUMINAIRE

Premiere Luminaire
 1241 Stiring Rd. #111
 Dania Beach, FL 33004

TEL: 754-764-3234
 E-mail: info@premiereltg.com

Website: www.premiereltg.com
 Specifications subject to change w/o notice
 Revision: Mar. 2017

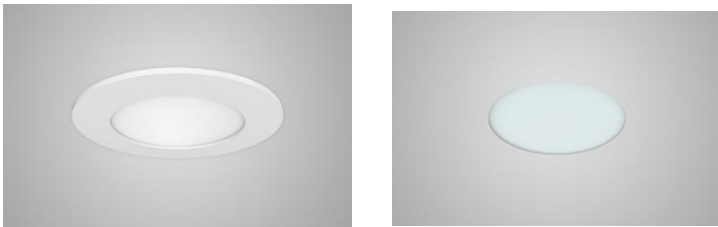
Mounting

Cut Hole In Ceiling And Snap Fixture In Opening
With Attached Spring Clips. 2" Above Ceiling Clearance
Required For Driver.

Trim Option



Appearance



D Dimmable

Non-Dimmable

DM Dimmable

E Finish

WH White

BK Black

SN Satin Nickel

F Mounting

Remodel

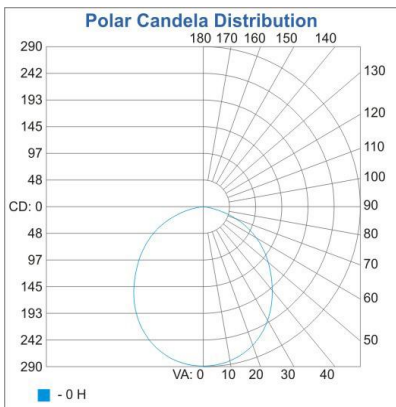
New Construction

G Trim

Trimmed

Trimless

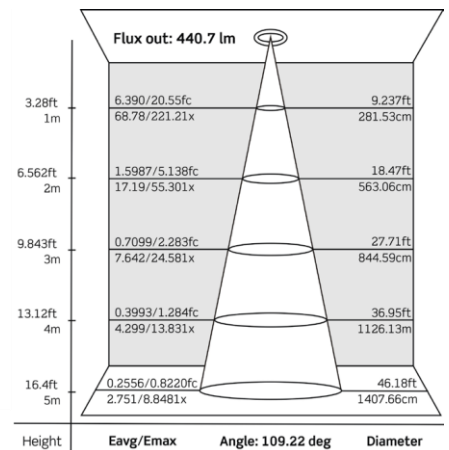
Light Distribution Curve



Illuminance at a Distance		
Center Beam FC	Beam Width	
3.3ft	26.5 fc	8.7ft
6.7ft	6.44 fc	17.7ft
10.0ft	2.89 fc	26.4ft
13.3ft	1.63 fc	35.1ft
16.7ft	1.04 fc	44.0ft
20.0ft	0.72 fc	52.7ft

■ Vert. Spread: 105.6

Note: The Curves indicate the illuminated area and the average illumination at a set distance from the LED Down Light.



PREMIERE LUMINAIRE

Premiere Luminaire

1241 Stiring Rd. #111
Dania Beach, FL 33004

TEL: 754-764-3234

E-mail: info@premiereltg.com

Website: www.premiereltg.com

Specifications subject to change w/o notice

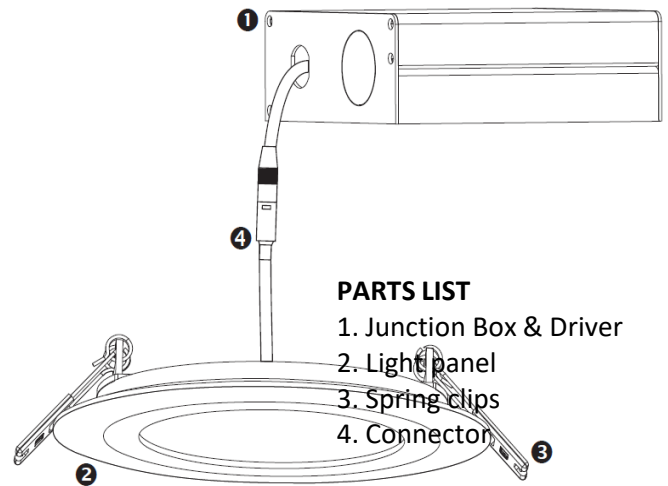
Revision: Mar. 2017

Specification

Applications	Recessed Ceiling Mount
Wattage	12W
Light Output	1160lm
CRI	80+/90+
CCT	2700K-4000K
Driver Input	120V AC or 277V-347V AC 50/60 Hz
Power Factor	0.98
Dimming	TRIAC Dimmers 10%-100% (120V only)
Location	Insulated Ceiling & Damp Locations
Lifespan	50,000 Hours at 70% Light Output
Certification	ETL/ENERGY STAR
Warranty	5 Year Limited for Fixture & Driver

Packing

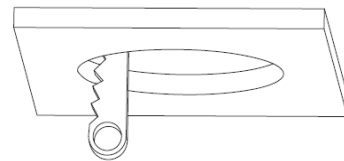
12PCS/CTN



PARTS LIST

1. Junction Box & Driver
2. Light panel
3. Spring clips
4. Connector

Fig. 1

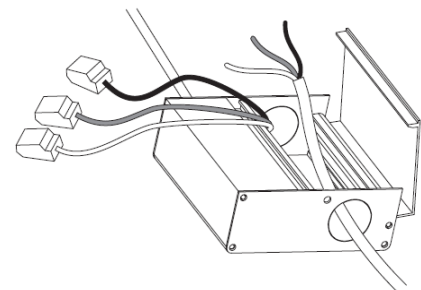


Installation Instructions

1. Turn power OFF from the electrical panel prior to installation.
2. Determine the location for installation and cut ceiling hole in accordance with cut-hole dimensions. Refer to *Hole Diameter* table for appropriate sizes. (Fig. 1)
3. Open the junction box cover and remove the appropriate knockout(s) on the side panel. (Fig. 2)
4. Insert the electrical supply cable through the knockout and secure with a cable connector (sold separately).
5. Using quick-connect push-in terminals, connect the ground wire to the green wire terminal; black wire to black wire terminal; white wire to white wire terminal. (Fig. 2)

Hole diameter/Diamètre de perforation:	
PROF40 (4")	4 1/4" ± 1/8" (110 ±
PROF60 (6")	6 5/16" ± 1/8" (160 ± 3mm)

Fig. 2



PREMIERE
LUMINAIRE

Premiere Luminaire

1241 Stirling Rd. #111
City, Guangdong China
Dania Beach, FL 33004

TEL: 754-764-3234

E-mail: info@premiereltg.com
E-mail: info@liteharbor.com

Website: www.premiereltg.com

Specifications subject to change w/o notice

Revision: Mar. 2017

6. Place all wiring and connections back in to the box and close the cover. Connect the driver to the light panel.

7. Insert junction box through the mounting hole. (Fig. 3)

8. Push spring-loaded clips on the fixture upwards and insert fixture base in to the mounting hole. Release the clips and fixture will be pulled flush to the ceiling. (Fig. 4)

Fig. 3

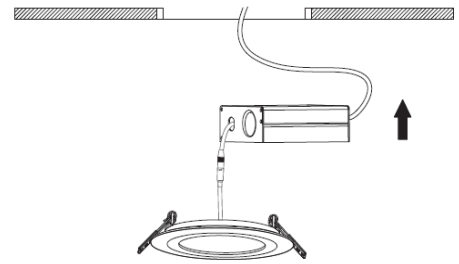


Fig. 4

