

**RL6G12W**  
**6" Super-thin Gimbal LED**  
**Recessed Panel Light**

<b>Catalog #</b>			
<b>Project</b>		<b>Date</b>	
<b>Notes</b>			



Back



**6" Super-thin Gimbal LED Recessed Panel Light**

**Description**

This ultra thin recessed LED Panel is absolutely perfect for tight spaces, soffits and insulated and dropped ceilings.

Recessed 6" gimbal LED panel with integral driver in connection box. Fits where no other recessed fixture can.

This LED is 12 watts and replaces a 65 watt halogen. Save up to 80% energy for same light output.

The thin Panel profile with spring clips allows for quick and easy installation. Ideal for confined spaces and suitable for damp locations

**Features**

Available in All 6" Round Openings.

Retrofit or New Construction

Install Directly Under Joists, Maximum Layout Flexibility

Comes with Junction Box & Driver, No Housing Required

Fast & Easy To Install

A    B    C    D    E    F    G

**Item No.: RL6G-12W**

<u>A</u>	Series
RL6G-12W	6" Gimbal & Remodel
RL6G-12W-NC	6" Gimbal & New Construction

<u>B</u>	Mounting
	Remodel
NC	New Construction

<u>C</u>	Trim
	Trimmed
TL	Trimless

<u>D</u>	Input Voltage
	110V
277	277V

PANEL LIGHT



**PREMIERE**  
LUMINAIRE

**Premiere Luminaire**  
 1241 Stirling Rd. #111  
 Dania Beach, FL 33004

TEL: 754-764-3234  
 E-mail: info@premiereltg.com

Website: www.premiereltg.com  
 Specifications subject to change w/o notice  
 Revision: Mar. 2017

**Mounting**

Cut Hole In Ceiling And Snap Fixture In Opening  
 With Attached Spring Clips. 2" Above Ceiling Clearance  
 Required For Driver.

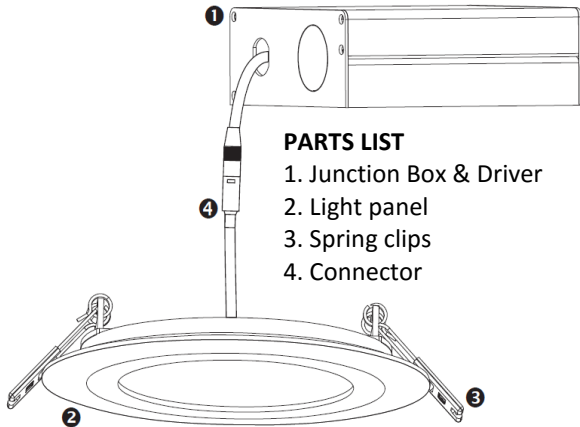
**Specification**

Applications	Recessed Ceiling Mount
Wattage	12W
Light Output	1100lm
CRI	80+
CCT	2700K-6000K
Driver Input	110V / 277V AC 50/60 Hz
Power Factor	0.98
Dimming	TRIAC Dimmers 10%-100% (120V only)
Location	Insulated Ceiling & Damp Locations
Lifespan	50,000 Hours at 70% Light Output
Certification	ETL/ENERGY STAR
Warranty	5 Year Limited for Fixture & Driver

E	Color Temperature
27	2700K
30	3000K
40	4000K
50	5000K
60	6000K
F	Dimmable
	Non-Dimmable
DM	Dimmable
G	Finish
WH	White
BK	Black
SN	Satin Nickel

**Packing**

CTN Size:480X375X205mm  
 Inner Box Size: 180X75X180mm  
 12PCS/CTN



- PARTS LIST**
- 1. Junction Box & Driver
  - 2. Light panel
  - 3. Spring clips
  - 4. Connector



PANEL LIGHT



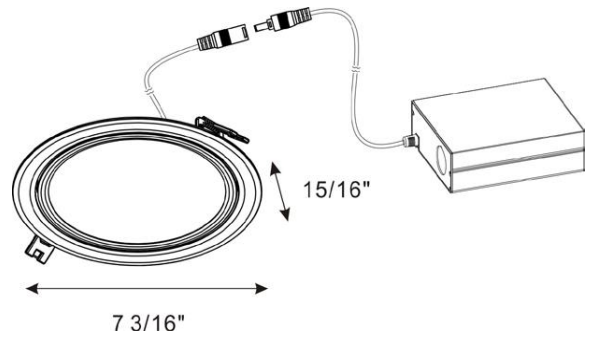
**PREMIERE LUMINAIRE**

**Premiere Luminaire**  
 1241 Stirling Rd. #111  
 Dania Beach, FL 33004

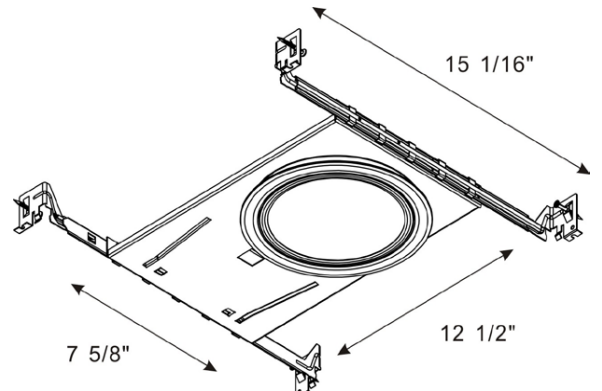
TEL: 754-764-3234  
 E-mail: info@premiereltg.com

Website: www.premiereltg.com  
 Specifications subject to change w/o notice  
 Revision: Mar. 2017

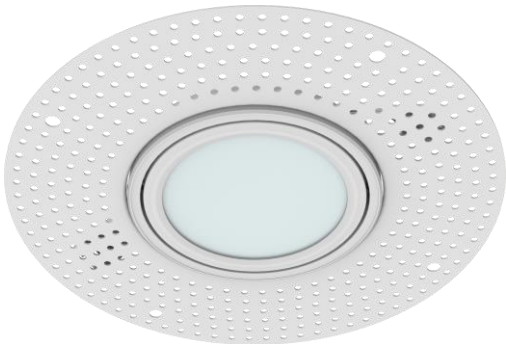
Remodel



New Construction



Trimless



PANEL LIGHT



**PREMIERE**  
LUMINAIRE

**Premiere Luminaire**  
1241 Stirling Rd. #111  
Dania Beach, FL 33004

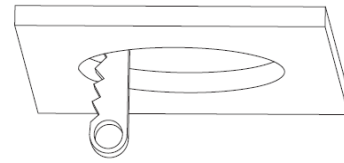
TEL: 754-764-3234  
E-mail: [info@premiereltg.com](mailto:info@premiereltg.com)

Website: [www.premiereltg.com](http://www.premiereltg.com)  
Specifications subject to change w/o notice  
Revision: Mar. 2017

## Installation Instructions

1. Turn power OFF from the electrical panel prior to installation.
2. Determine the location for installation and cut ceiling hole in accordance with cut-hole dimensions. Refer to *Hole Diameter* table for appropriate sizes. (Fig. 1)
3. Open the junction box cover and remove the appropriate knockout(s) on the side panel. (Fig. 2)
4. Insert the electrical supply cable through the knockout and secure with a cable connector (sold separately).
5. Using quick-connect push-in terminals, connect the ground wire to the green wire terminal; black wire to black wire terminal; white wire to white wire terminal. (Fig. 2)
6. Place all wiring and connections back in to the box and close the cover. Connect the driver to the light panel.
7. Insert junction box through the mounting hole. (Fig. 3)
8. Push spring-loaded clips on the fixture upwards and insert fixture base in to the mounting hole. Release the clips and fixture will be pulled flush to the ceiling. (Fig. 4)

Fig. 1



Hole diameter/Diamètre de perforation:	
PROF40 (4")	4 1/4" ± 1/8" (110 ±)
PROF60 (6")	6 5/16" ± 1/8" (160 ± 3mm)

Fig. 2

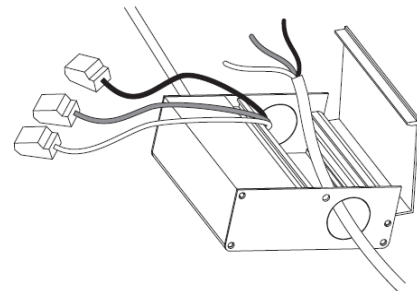


Fig. 3

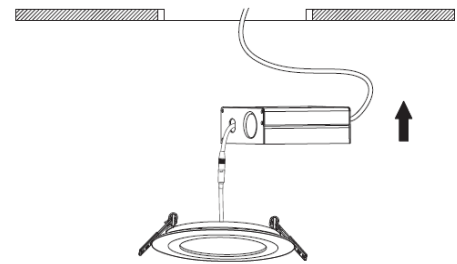


Fig. 4

